

INSTALLATION INSTRUCTIONS FOR:

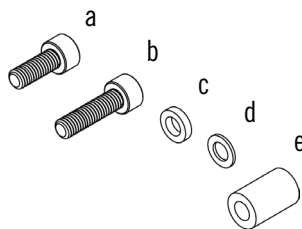
- Cervelo® EX10 Extension Assemblies & EX11 Monobars
- 51 Speedshop Mono-Riser AeroBar System w/ BTA Mount
- TriRig Alpha One Mono-Riser w/Dragonfly V1
- Argon 18 Oneness 3.0 Cockpit Assy with Bottle Cage Mount Assy 3T

NOTE: For Bontrager bars, see page 2.



HARDWARE REQUIRED

- a. M5 x 16 mm socket head bolt (x2)
- b. M5 x 30 mm socket head bolt (x2)
- c. M5 x 2 mm nylon washer (x1)
- d. M5 x 1 mm steel washer (x2)
- e. M5 x 14.5 mm spacer (x2)



TOOLS REQUIRED

- 4 mm Hex Wrench
- Torque Wrench 1.1 Nm, 2.8 Nm



A. MOUNT THE VERSA SLIM CARBON FIBER CHASSIS AND BOTTLE CAGE

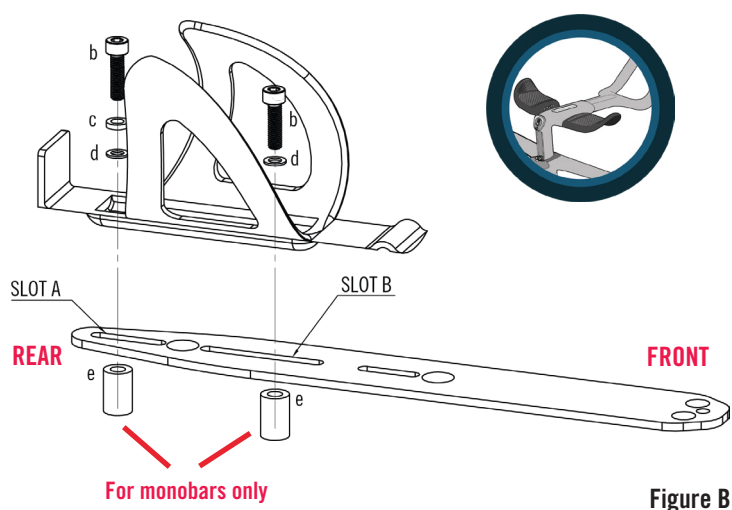
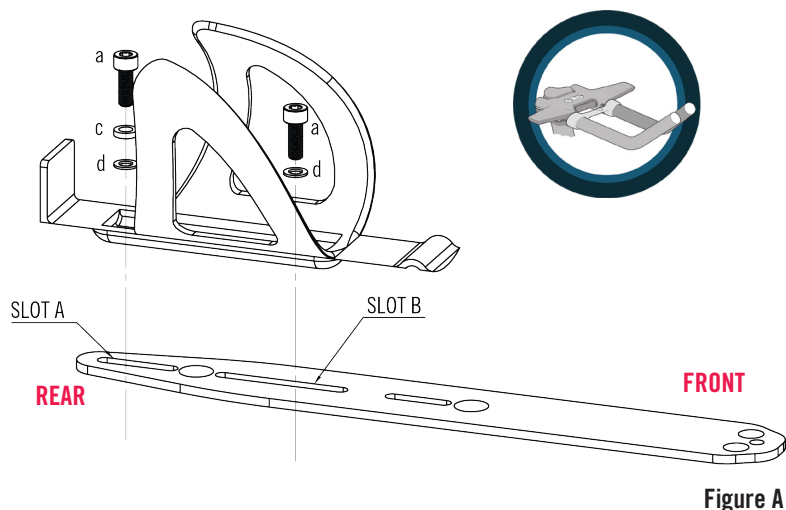
51 Speedshop, TriRig, and Argon18 bar assemblies may use either the Cervelo® EX10 or EX11 installation process.

Cervelo® EX10 Extension Assemblies

1. Thread the M5 x 16 mm socket head bolt “a” through one nylon washer “c”, one steel washer “d” and then through the rear cage slot. Next thread through the rear slot in the **VERSA SLIM** chassis (slot A) and into the **rear cage hole** on the Cervelo® aerobar. Tighten finger tight. **Figure A**
2. Insert one M5 x 16 mm socket head bolt “a” through one steel washer “d”, through the front cage slot, through the **VERSA SLIM** chassis (slot B) and into the **front cage hole** on the aerobar.
3. Now onto testing the fit prior to tightening everything up.

Cervelo® EX11 Monobars

1. Thread the M5 x 30 mm socket head bolt “b” through one nylon washer “c”, one steel washer “d” and then through the rear cage slot. Next thread through the rear slot in the **VERSA SLIM** chassis (slot A), through the M5 x 14.5 mm spacer “e” and into the **rear cage hole** on the Cervelo® aerobar. Tighten finger tight. **Figure B**
2. Insert one M5 x 30 mm socket head bolt “b” through one steel washer “d”, through the front cage slot, through the **VERSA SLIM** chassis (slot B), through the M5 x 14.5 mm spacer “e” and into the **front cage hole** on aerobar.
3. Now onto testing the fit prior to tightening everything up.



B. CHOOSING THAT PERFECT POSITION

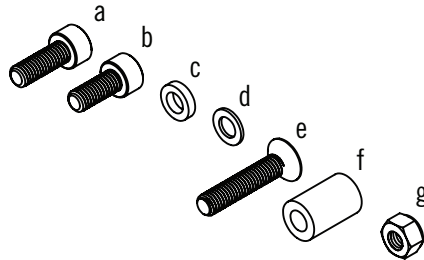
1. Insert the **TORPEDO BOTTLE** into the cage. Refer to the Section titled **INSTALLING THE TORPEDO BOTTLE** on page 3
2. Next, move the **VERSA SLIM** chassis forward or backwards, so that the computer mount & straw is in your ideal position.
3. While holding the cage securely, preventing it from shifting, remove the Torpedo Bottle by twisting to the side and then pulling straight out.
4. Tighten both socket head bolts “a” or “b” to a torque setting of 1.1 Nm (10 in-lbs).

Next, install the bottle again and move to the Section titled **ADJUST VERSA COMPUTER MOUNT** and follow the remaining instructions.



HARDWARE REQUIRED

- a. M5 x 14 mm socket head bolt (x1)
- b. M5 x 12 mm socket head bolt (x1)
- c. M5 x 2 mm nylon washer (x1)
- d. M5 x 1 mm steel washer (x4)
- e. M5 x 25 mm flat head bolt (x2)
- f. M5 x 14.5 mm spacer (x2)
- g. M5 lock nut (x2)



TOOLS REQUIRED

- 3 mm Hex Wrench
- 4 mm Hex Wrench
- 8 mm Open Ended Wrench
- Torque Wrench 1.1, 2.8, 4 Nm



A. MOUNT THE VERSA SLIM CARBON FIBER CHASSIS TO AEROBAR

1. Insert one M5 x 25 mm long flat head cap bolt “e” through countersunk hole “1” on **VERSA SLIM** Carbon Fiber Chassis. Slide one 14.5 mm spacer “f” over the bolt and locate the large rear access mounting hole on the aerobars that is closest to the rider. **Figure C**
2. Proceed to insert the bolt finger tight into this location. Insert the second M5 x 25 mm long flat head cap bolt “e” through countersunk hole “2” on **VERSA SLIM** Carbon Fiber Chassis. Slide second 14.5 mm spacer/standoff “f” over the bolt and locate the large front recess mounting hole on the aerobars that is the farthest from the rider, proceed to insert the bolt finger tight into this hole on the aerobars.
3. Once both bolts are in place, the **VERSA SLIM** Carbon Fiber Chassis should be parallel with the aerobar. Proceed to torque these two bolts to 1.1 Nm (10 in-lbs).

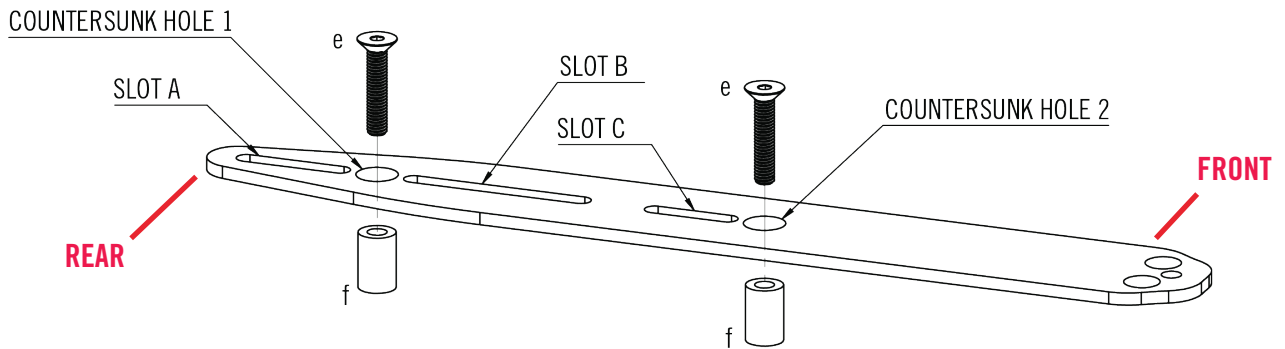


Figure C

B. MOUNT WATER BOTTLE CAGE TO VERSA SLIM CARBON FIBER CHASSIS

1. Insert the M5 x 14 mm socket head bolt “a” through the white 2 mm thick nylon washer “c”, then through one steel flat washer “d”, and then through water bottle cage location “REAR”. **Figure D**

NOTE: It is essential that the white nylon spacer is in the rear bolt location as it is the locking device for retaining the **TORPEDO BOTTLE** in place.

Position the cage assembly so the bolt can be guided through either Slot A or Slot B on the **VERSA SLIM** Carbon Fiber Chassis. Slot A would be for shorter riders and Slot B would be for taller riders. Once the slot position has been chosen, pass the bolt through the slot, install another steel flat washer “d” over the bolt, and then thread one lock nut “g” onto the bolt finger tight.

2. With the water bottle cage assembly partially secured, place the M5 x 12 mm socket head cap bolt “b” through a steel washer “d”, and then pass the bolt through the water bottle cage FRONT location. Align the bolt with the corresponding Slot on the **VERSA SLIM** Carbon Fiber Chassis (Slot B or Slot C) and pass it through the slot. As in step 1, add another steel washer “d” and lock nut “g” to the bolt finger tight.
3. Positioning: With the cage in place but not tight, you can move it fore or aft in the range you have chosen. Once positioned, use an 8 mm open wrench and 4 mm hex wrench to torque the water bottle cages bolts (“a” and “b”) to the specification of 4 Nm. (35 in. lbs).

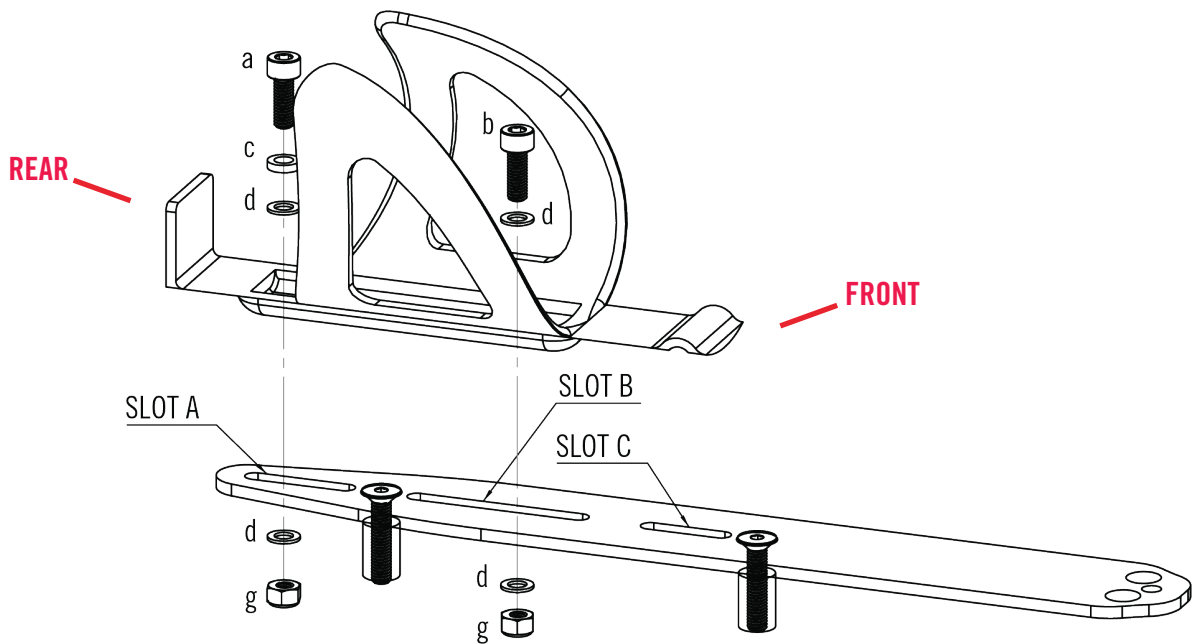


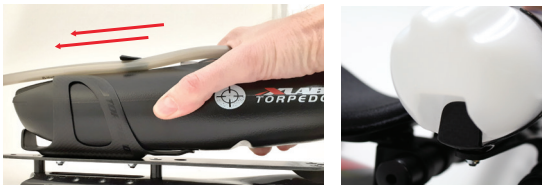
Figure D

INSTALLING THE TORPEDO BOTTLE

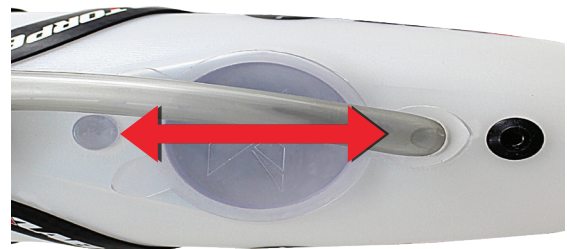
1. Select the appropriate straw hole. There are two straw holes on either side of the lid for a more forward or rearward straw position. The plug will go in the opposite hole of the straw and is pre-inserted in the rear straw hole.
2. Trim the straw to the appropriate length for your use. Cut at an angle to make it easier to install.
3. Insert the straw by pinching the end and pushing through the appropriate hole. If using the solid lid, make sure the straw goes through the tether hole in the lid.
4. At the bottom of the **TORPEDO BOTTLE**, there is a groove. Place the straw in front of the groove to have the straw sit more horizontal; place the straw behind to make the straw more vertical. To switch straw plug positions, push the straw plug up from inside the bottle to remove. To re-install, simply insert the black or clear straw plug from the top of the bottle and press down until it is fully seated.



5. Place the bottle in the cage by pushing the bottle straight back until it clicks and the bottle is locked in place. Make sure the rear tab of the cage slides into the rear bottle recess.



NOTE: To remove the bottle, rotate it either to the right or left 6-7 mm (1/4 inch) and pull straight forward.



6. The pre-installed Dolphin Tail can be used to tuck the straw underneath to keep it out of the way while riding.



7. **BREATHER VALVE INSTALL.** The bottle comes pre-installed with a breather valve to completely seal the **TORPEDO BOTTLE** from leaks. If it is ever removed. **1.** Remove the old breather valve and clean off any remaining adhesive from the valve. **2.** Apply a small amount of food-grade silicone adhesive onto the underside of the new breather valve head. Insert into the hole, making sure the valve is fully inserted in the bottle per the Drawing. The top of the valve should be flat against the top of the bottle. **3.** Clean up any silicone that comes out the sides of the valve using a wet rag. The top of the valve should be completely flat against the bottle. **4.** Allow adhesive to set for at least 24 hours prior to using/washing. See **Figure E** for the profile of the valve in the bottle to see how the flange of the valve should fit in place.



Figure E

Ensure the flange is completely below the bottle surface.

ADJUST VERSA COMPUTER MOUNT

TOOLS REQUIRED

- 3 mm Hex Wrench
- Torque Wrench up to 2.8 Nm (25 in lbs)

1. Loosen the side screw at the base of the mount.



2. Adjust the computer mount to the correct height by moving the post. The top can then be rotated to the preferred angle.



3. Tighten the side screw to lock in place and torque to 2.8 Nm (25 in lbs)
4. Attach the computer and rotate as needed.



FOR OTHER COMPUTER TYPES

The **TORPEDO VERSA SLIM** comes pre-installed with the computer mount for Garmin® bike computers but also includes adapters for Garmin® watches, and other strap mounted computers.

1. Remove the two screws at the top of the computer mount using the 2 mm Hex Wrench.
2. Depending on the computer used, set the mount as specified. **Figure F**.



TOOLS REQUIRED

- 2 mm Hex Wrench
- Torque Wrench up to 1.1 Nm (10 in lbs)

3. Reinsert the screws and tighten.
4. Torque both screws to 1.1 Nm (10 in lbs).
5. For strap mounted computers, attach the computer onto the **VERSA COMPUTER MOUNT** using o-rings or cable ties as specified in the manufacturer's instructions.

Garmin Watches and Wahoo Computers:
Rotate insert 90 degrees as shown:



Other Strap Mounted Computers:
Remove pre-installed insert and install strap insert as shown:

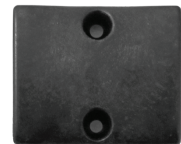


Figure F

BOTTLE CARE

HAND WASH YOUR TORPEDO BOTTLE, STRAW, PLUG, BITE VALVE, AND LID EVERY TIME YOU USE IT AND BEFORE INITIAL FIRST USE.

When cleaning by hand it is not necessary to remove the accessories.

1. Fill **TORPEDO BOTTLE** with soapy water.
2. Use one hand to cover the holes on top of the bottle.
3. Shake bottle vigorously.
4. Rinse and repeat.

STRAW CARE

Hand wash straw in lukewarm water only. Use a long thin brush to clean tube. Hot water or the dishwasher will damage straw material.

WARRANTY

- VERSA SLIM PLATE** - Limited Lifetime
 - TORPEDO CARBON CAGE** - Limited Lifetime
 - TORPEDO COMPUTER MOUNT** - Limited 3 Year
 - TORPEDO BOTTLE** - Limited 3 Year
 - All Other Parts** - Limited 6 Month
- See website for more details.